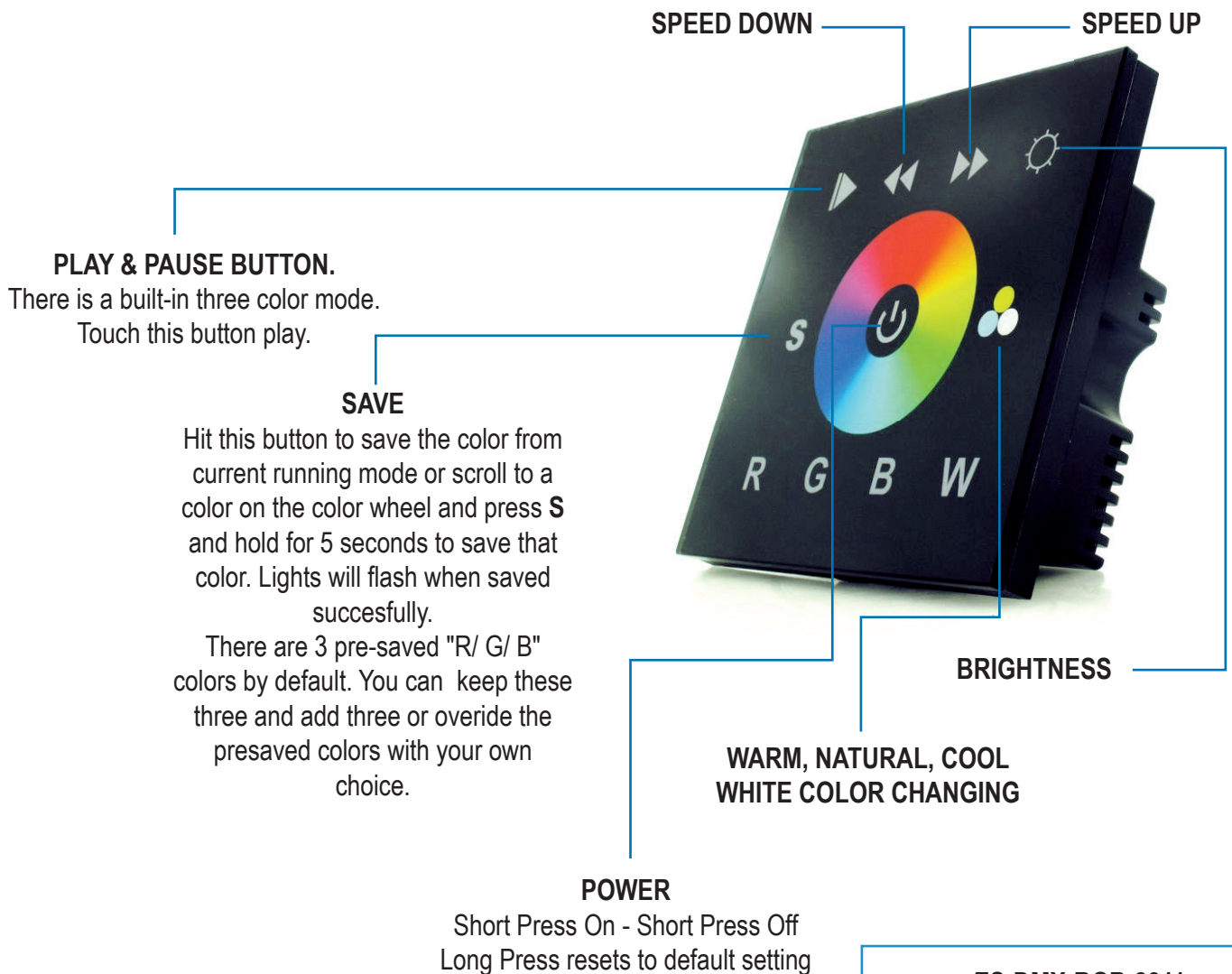


CONTROLS COLOR OUTPUT

ES-DMX-RGB-2811 DMX full touch panel wall switch with DMX signal output to connect DMX decoders. Made of high sensitive glass touch panel and comes in black or white. Suitable for any RGB or RGBW LED lighting application projects for home, theaters, clubs, restaurants, etc.

Can be used with 12/24V LED lights such as LED strip light, LED underwater lights & LED in-ground lights via RGB-DMX Decoder series (sold separately).

Operating Instructions:



PLAY & PAUSE BUTTON.

There is a built-in three color mode.
Touch this button play.

SAVE

Hit this button to save the color from current running mode or scroll to a color on the color wheel and press **S** and hold for 5 seconds to save that color. Lights will flash when saved successfully.

There are 3 pre-saved "R/ G/ B" colors by default. You can keep these three and add three or override the presaved colors with your own choice.

POWER

Short Press On - Short Press Off
Long Press resets to default setting



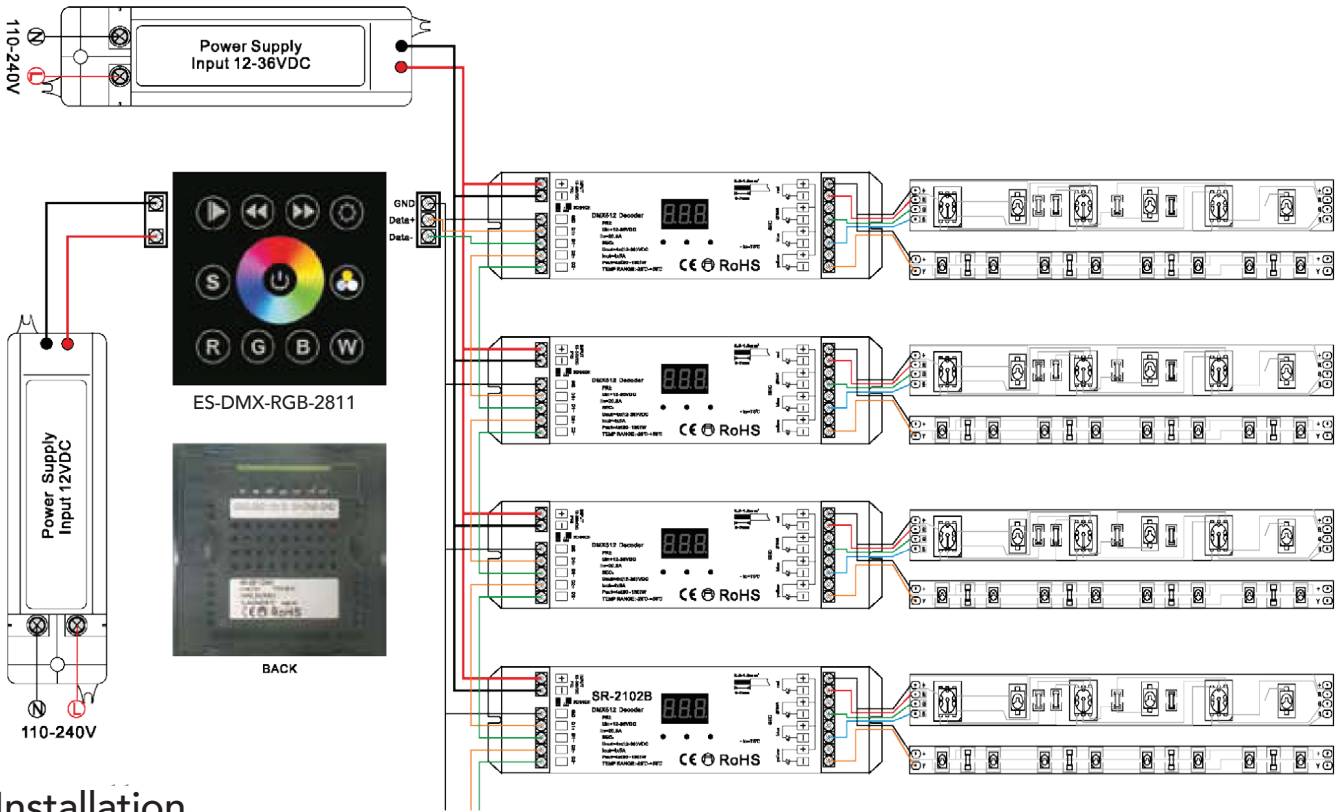
Short press means switch on and off for each channel.

1st Long press means brightness+,
2nd Long press means brightness-.

At the corner of the panel there is a signal light,
Blue means on, Red means off

ES-DMX-RGB-2811
can send data from 1 to 40.
Data 1 is R channel.
Data 2 is G channel.
Data 3 is the B channel.
Data 4 is the W channel.
All this DMX decoder needs
4 address as a group:
such as 1-4, 5-8, 9-12, 13-16, 17-20,
21-24, 25-28, 29-32, 33-36, 37-40.

Wiring Diagram



Installation

